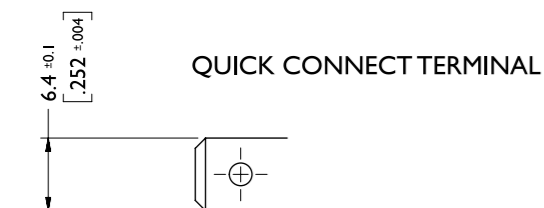
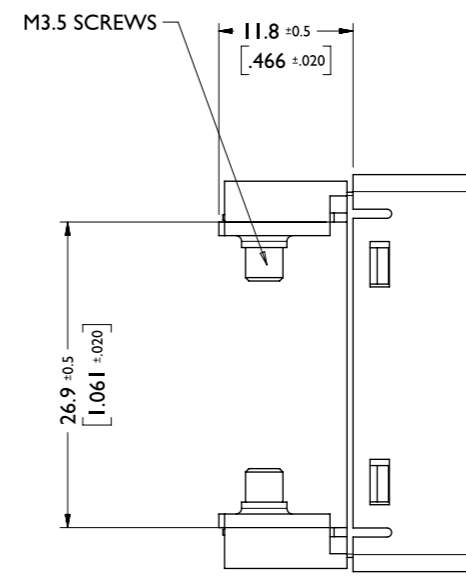
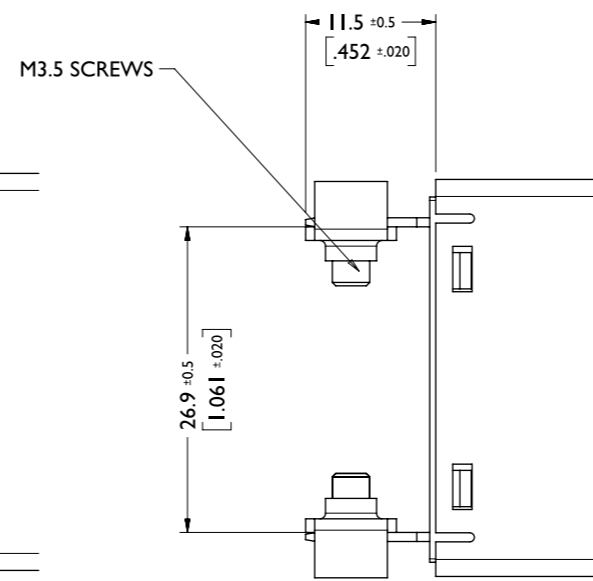
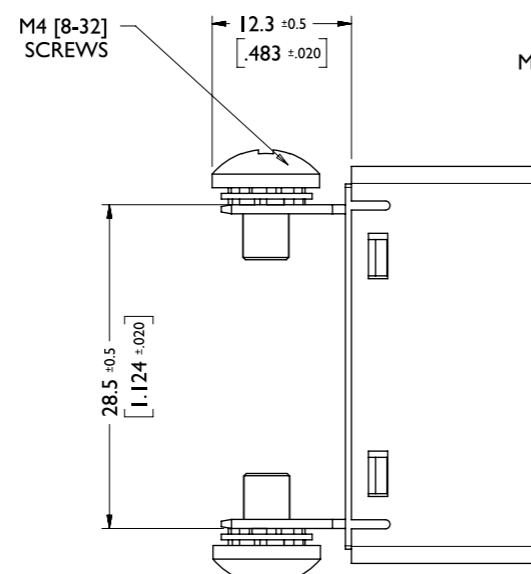
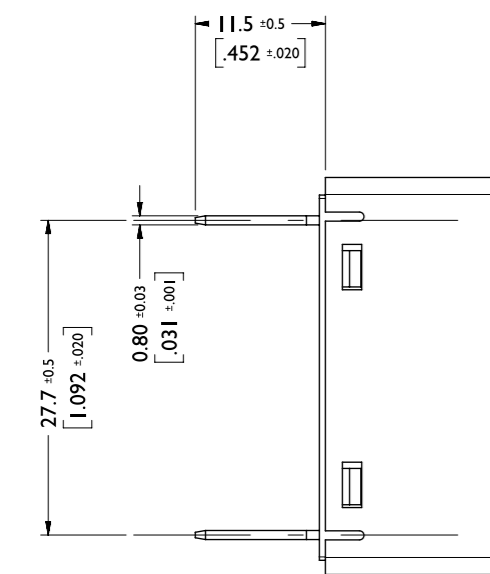
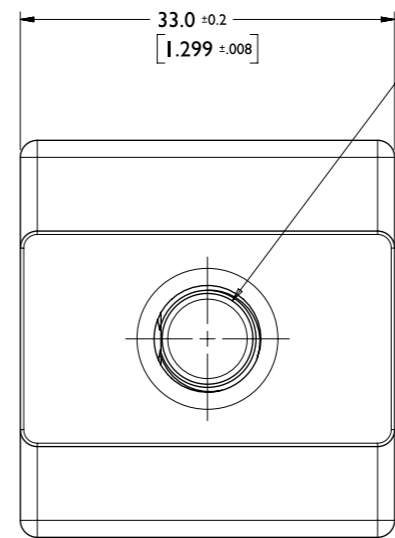
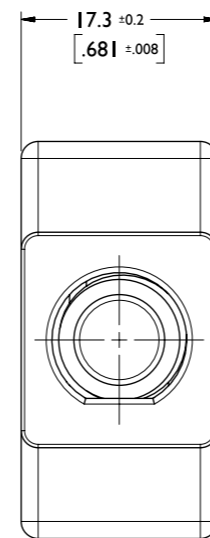
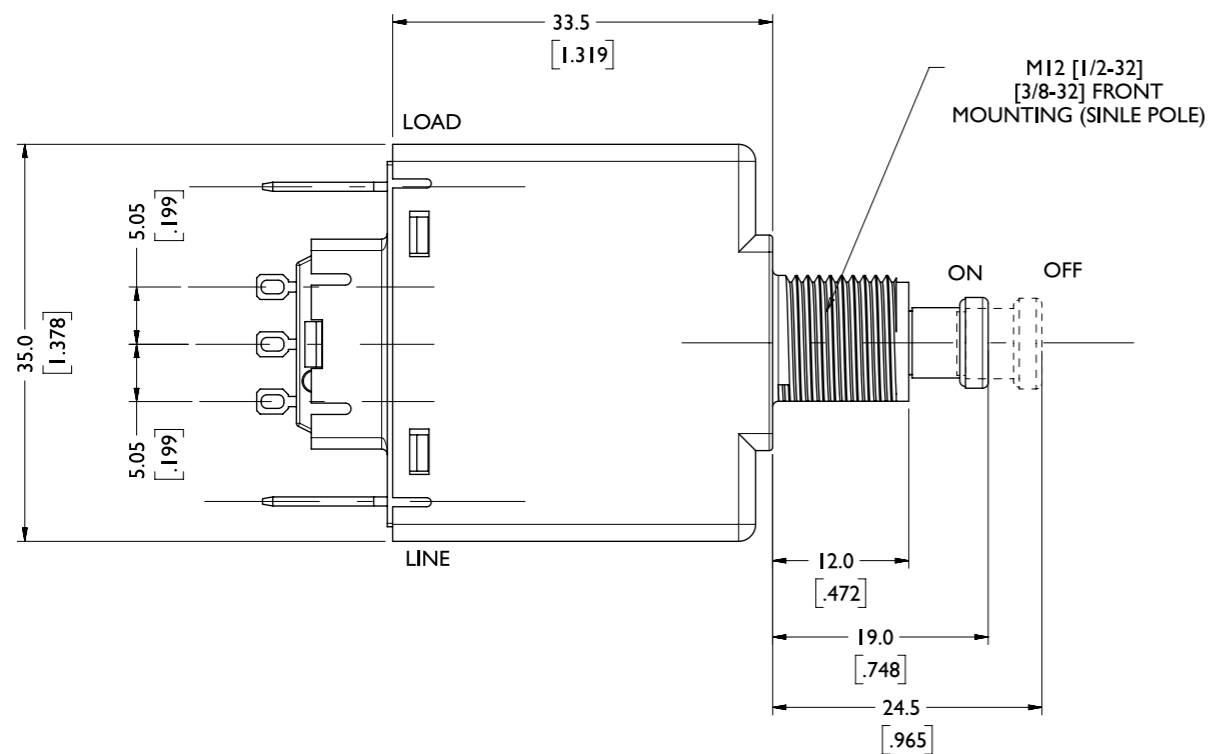


# PUSH-PULL HANDLE PRODUCTS



QUICK CONNECT TERMINAL

MICRO SWITCH ONLY AVAILABLE WITH QUICK CONNECT TERMINALS

SCREW TERMINAL

CLAMP TERMINAL

CLAMP TERMINAL (LONG)

TOLERANCE ±0.4 UNLESS OTHERWISE SPECIFIED  
(DIMENSION IN BRACKETS ARE IN INCH)

UNCONTROLLED

A	REFER TO PAGE 1 OF 10	CF
---	-----------------------	----

REV	DESCRIPTION	SIGN
-----	-------------	------

MATING FACE	-MF
PROCESS DIMENSION	-PD
INTERSECTION	-INT
BEFORE PLATING	-BP
ALL DIMENSIONS IN	-mm
TOLERANCES ON UN-DIMENSIONED 90° FEATURES ARE ±0.5°	
TOLERANCES < ±0.1 ARE CRITICAL	
BRACKETED DIMENSIONS=EXISTING TOOLING	

SURFACE AREA	N/A	mm <sup>2</sup>
--------------	-----	-----------------

VOLUME	N/A	mm <sup>3</sup>
--------	-----	-----------------

MATERIAL	N/A
----------	-----

RAW MTL No.	N/A
-------------	-----

FINISH	N/A
--------	-----

DRAWN	CF	DATE	29/09/2015
-------	----	------	------------

CHECK	APPD
-------	------

TOLERANCES	DO NOT SCALE
------------	--------------

X	±0.5	ORIGINAL SIZE	A3
---	------	---------------	----

X.X	±0.1		
-----	------	--	--

X.XX	±0.05		
------	-------	--	--

ANGULAR	±0.5°		
---------	-------	--	--

TITLE  
B-FRAME  
OUTLINE DRAWING



DRG. No.	UG	B-OUTLINE
----------	----	-----------