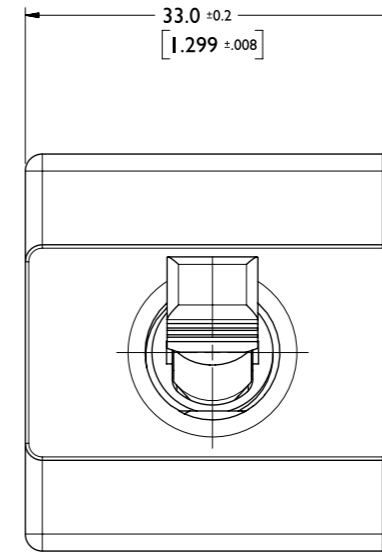
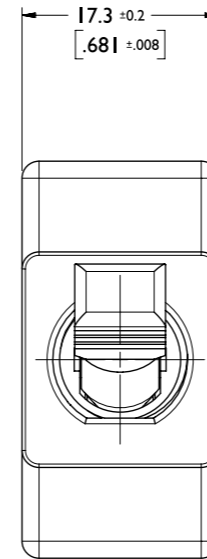
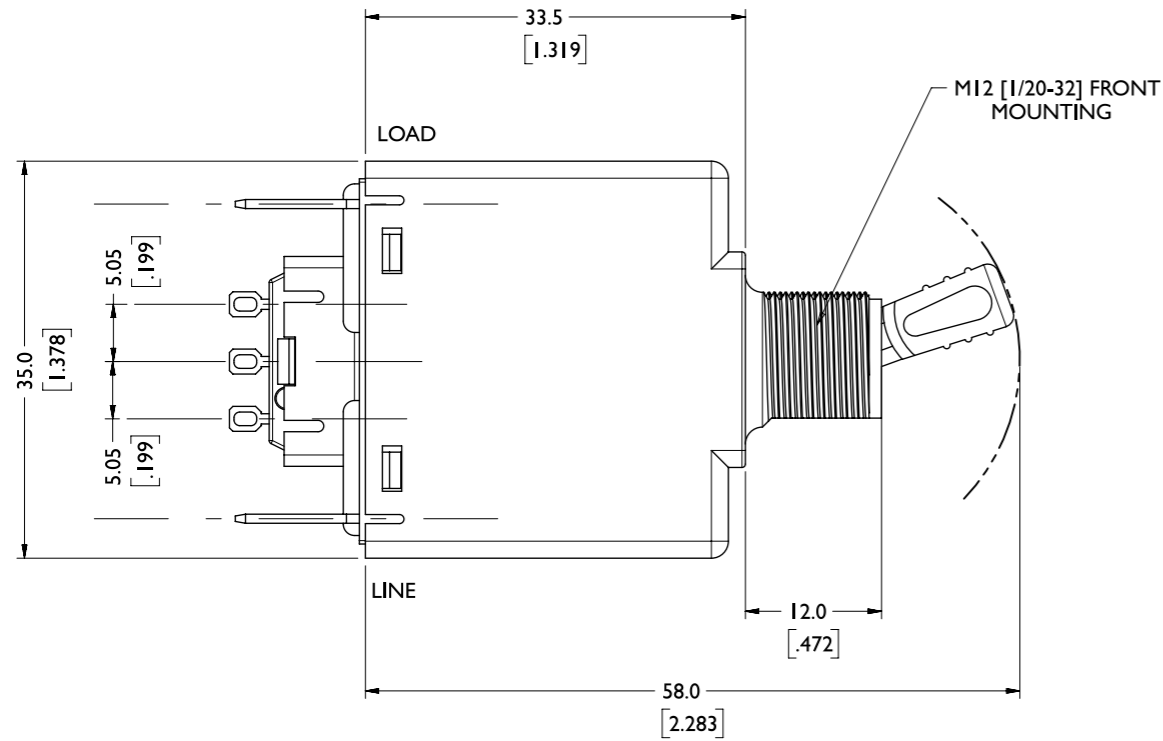


# SQUARE HANDLE PRODUCTS



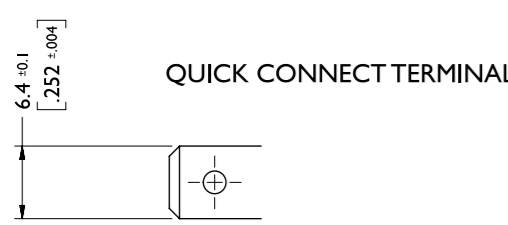
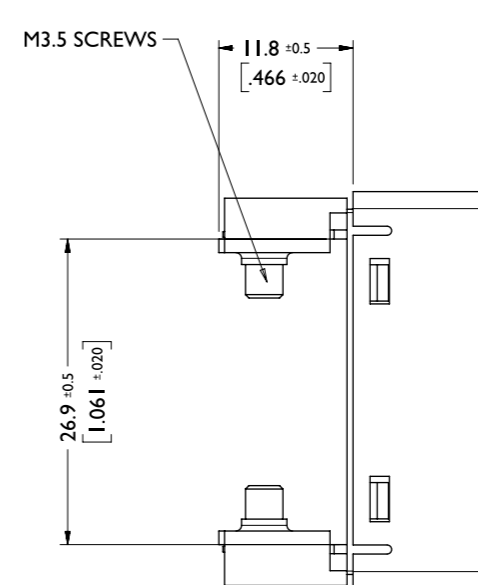
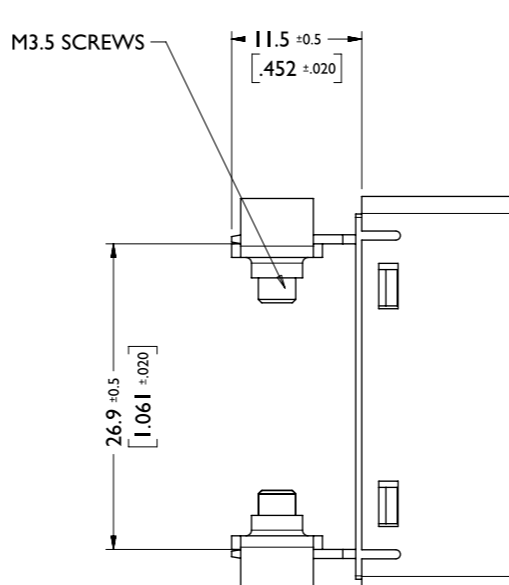
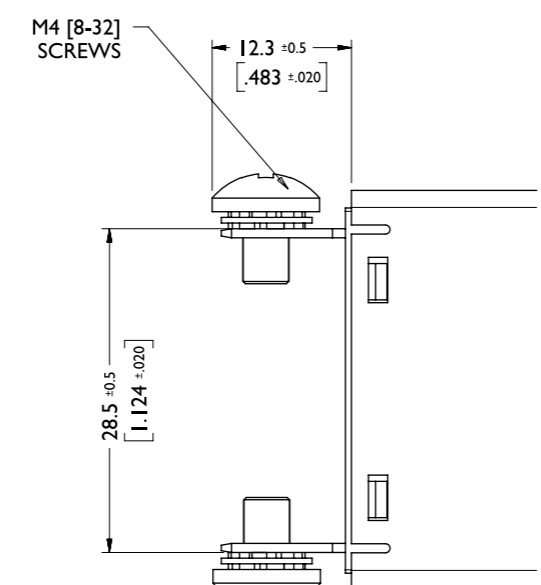
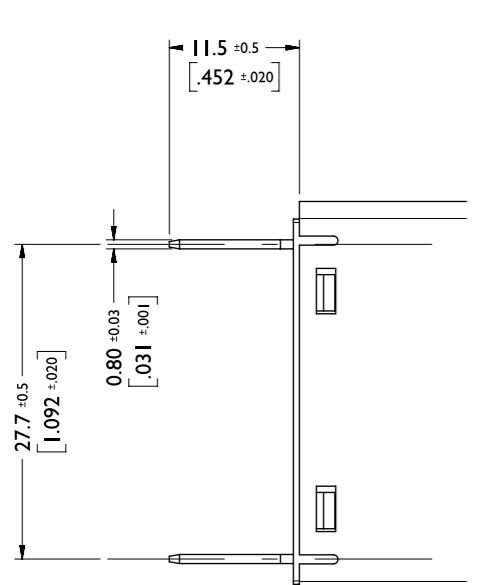
UNCONTROLLED

| A   | DCN FIRST ISSUE | CF   |
|-----|-----------------|------|
| REV | DESCRIPTION     | SIGN |

|   |      |
|---|------|
| MATING FACE   | -MF  |
| PROCESS DIMENSION                                   | -PD  |
| INTERSECTION  | -INT |
| BEFORE PLATING                                      | -BP  |
| ALL DIMENSIONS IN                                   | -mm  |
| TOLERANCES ON UN-DIMENSIONED 90° FEATURES ARE ±0.5° |      |
| TOLERANCES < ±0.1 ARE CRITICAL                      |      |
| BRACKETED DIMENSIONS=EXISTING TOOLING               |      |

|              |     |                 |
|--------------|-----|-----------------|
| SURFACE AREA | N/A | mm <sup>2</sup> |
| VOLUME       | N/A | mm <sup>3</sup> |
| MATERIAL     | N/A |                 |
| RAW MTL No.  | N/A |                 |
| FINISH       | N/A |                 |

|            |              |                  |            |
|------------|--------------|------------------|------------|
| DRAWN      | CF           | DATE             | 29/09/2015 |
| CHECK      |              | APPD             |            |
| TOLERANCES | DO NOT SCALE |                  |            |
| X          | ±0.5         | ORIGINAL SIZE A3 |            |
| X.X        | ±0.1         |                  |            |
| X.XX       | ±0.05        |                  |            |
| ANGULAR    | ±0.5°        |                  |            |



QUICK CONNECT TERMINAL

SCREW TERMINAL

CLAMP TERMINAL

CLAMP TERMINAL (LONG)

MICRO SWITCH ONLY AVAILABLE WITH QUICK CONNECT TERMINALS

TOLERANCE ±0.4 UNLESS OTHERWISE SPECIFIED  
(DIMENSION IN BRACKETS ARE IN INCH)

TITLE  
B-FRAME  
OUTLINE DRAWING

